

# ADS/NTN

## Atmospheric Deposition Sampler

Wet only deposition collector Model 00-120-2



N-CON Systems Co., Inc.



*Closed cover sealing sample collection container*



*Open cover resting on splash shield*

- **Compact to minimize splash area**
- **Prompt opening and closing of sample container**
- **Does not “hunt” under marginal precipitation conditions**
- **Reliable, heavy duty cover drive motor**

- **Easy mounting**
- **Operates on 110VAC/220VAC or 12VDC**
- **Simple maintenance**
- **Plug & Play replacement parts**
- **Responsive to light snow, drizzle or heavy fog**

### How the ADS/NTN works:

The infrared, optical precipitation sensor detects the onset of precipitation and uncovers the sample container within five (5) drops. Within two minutes, after precipitation stops, cover returns to sample container to minimize exposure to dry deposition. Sensor also detects drizzle, heavy fog or light snow, which may carry significant amounts of deposition.

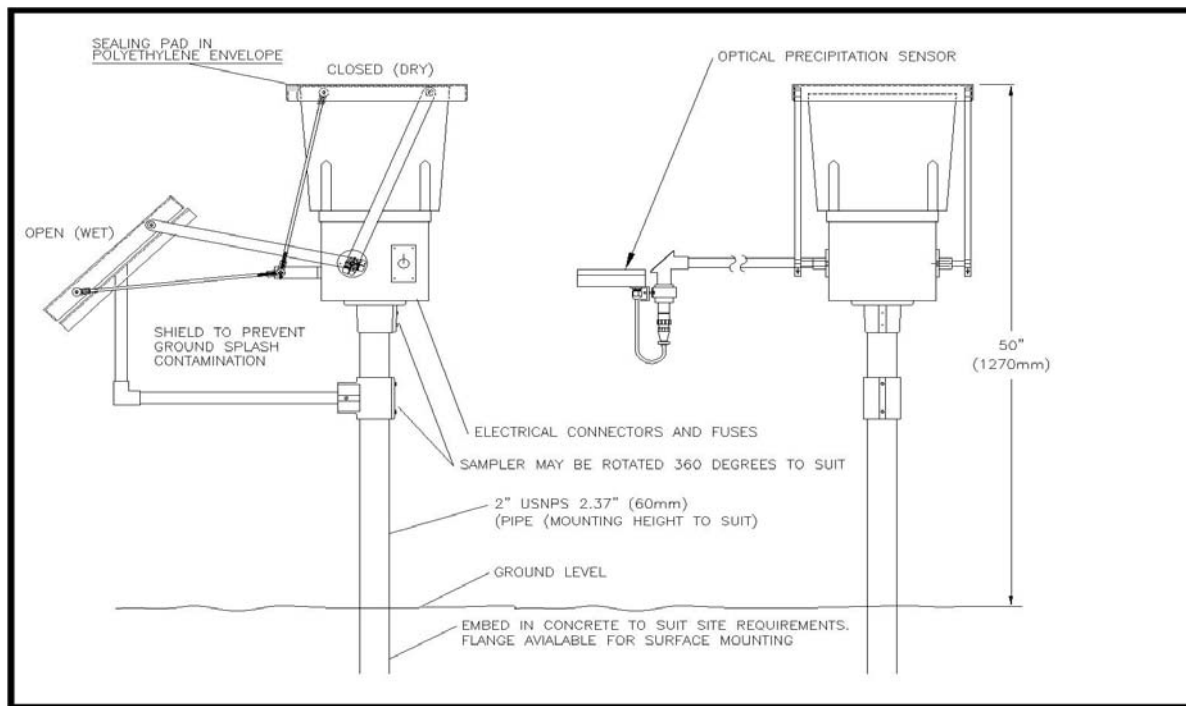
Collection of uncontaminated wet deposition samples is essential to precipitation chemistry validity. Compact design minimizes splash from exterior surfaces. In areas with high wind, the sampler may be fitted with an optional Alter Screen. The compression seal on the underside of the cover prevents leakage of dry deposition in to the container and retards sample evaporation. When the cover System is opened the underside is protected from ground splash by a shield that covers, but does not contact the seal.

Reliability is essential to the collection of valid samples. The ADS/NTN runs interchangeably on either line power (110VAC or 220VAC) or (12VDC) with an optional external power converter. Cover drive is rated for 20 years of typical service. All parts are easy to replace without special tools.

The ADS/NTN is mounted on a 2” NPS pipe by a socket secured with 2 set screws, so that it may be easily rotated.

The sampler also provides a 4 conductor cable to connect to an unpowered auxiliary contact that closes during precipitation events. This contact can operate a user furnished data logger and/or event recorder pen in a Belfort Universal Raingage. System will also interface with a variety of electronic, weighing rain gages.

A normally open contact is also provided for monitoring power continuity.



## Technical Specifications

### **SAMPLE CONTAINER:**

NADP Type  
 Capacity: 3.5 US Gallons  
 Material: Rigid Polyethylene, with carrying handle  
 Cover: Snap-on lid with "O" ring seal  
 Furnished: 1 each

### **PRECIPITATION SENSOR:**

Type: Infra-red transmitter and receiver  
 Opening: Within 5 drops of onset of precipitation  
 Closing: Within 2 minutes of end of precipitation

### **OUTPUT FOR DATA LOGGER OR EVENT RECORDER:**

Two unpowered, normally open contacts  
 1 Contact is closed for the duration of sampling event  
 1 contact is closed to indicate power to system is on

### **DIMENSIONS:**

16" (41cm) Wide  
 15" (38cm) Deep (less sensor)  
 24" (61cm) High

### **WEIGHT:**

Net: 36 Pounds (16 Kg)  
 Shipping: 55 Pounds (25Kg.)

### **MOUNTING:**

Direct mounting on 2" NPS pipe  
 (2.375 Dia. 68mm Dia.)  
 With mounting collar and set screws

### **MATERIALS OF CONSTRUCTION:**

Control Housing:  
 Aluminum (5052H32) .125"  
 White polyester powder coat  
 Sample Container Cover:  
 Aluminum (5052H32) .090"  
 White polyester powder coat

### **OPTIONAL EXTRAS:**

See Price List

### **N-CON Systems Company, Inc.**

180 North Street ■ P.O. Box 809  
 Crawford, GA 30630 USA  
 (706) 743-8110 ■ (800) 932-6266 ■ Fax: (706) 743-8114  
 e-mail: [nconsys@n-con.com](mailto:nconsys@n-con.com) website: [www.n-con.com](http://www.n-con.com)

Made in the United States by an American owned company

**N-CON SYSTEMS CO., INC.**  
**P.O Box 809 180 North Street**  
**Crawford, GA 30630-0809**

**1-800-932-6266**

**1-706-743-8110**

**1-706-743-8114 (FAX)**

**e-mail: nconsys@n-con.com**

**ADS/NTN, ATMOSPHERIC DEPOSITION SAMPLER**  
**PRICE LIST**

<b>PART #</b>	<b>PRODUCT</b>	<b>PRICE</b>
00-120-2	ADS NTN (wet deposition) Sampler includes infrared optical precipitation sensor 1 3.5 gallon sample container (NADP type with cover) 1 AC power cable (115VAC) 1 Recorder output cable 4 conductor 30 ft. (unpowered contact) Operation and service manual.	US\$ 4,100.00
00-120-2-220	ADS WD (wet deposition) Sampler For 220V 50Hz includes infrared optical precipitation sensor 1 3.5 gallon sample container (NADP type with cover) 1 AC power cable (220 VAC/50hz) Specify country of use type of plug 1 Recorder output cable 4 conductor 30 ft. (unpowered contact) Operation and service manual. (English only) Export handling and documentation	US\$ 4,100.00      250.00
<b>OPTIONAL ACCESSORIES:</b>		
15-120	Inverter for 12 VDC to 115VAC (external mount)	375.00
19-500	3.5 gallon sample container with cover	32.50
20-125-tools	Tool Kit and Sensor simulator for installation or service	42.50

**TERMS OF SALE:**

**Transportation Charges:**

All prices are F.O.B. Factory, Crawford, Georgia USA  
Transportation Charges are the responsibility of the buyer and are not included in the price of the equipment. Prices do not include any charges for transportation, insurance, documentation, bank services, special packing etc. These extra charges will be prepaid by N-CON and added to the invoice as a separate line item. If a carrier is not specified by the buyer N-CON will select the carrier.

**Terms of Payment: DOMESTIC**

Purchase Orders:

2% 10 days net 30 days  
Company/Government VISA or MasterCard

**Terms of Payment: EXPORT**

**Payment with order (EFT) will waive export handling charge**

Direct transfer of funds: (EFT) Contact factory for details.

Payment may be made by means of an irrevocable letter of credit to which HSBC NA has added its confirmation. Payment to be made in US \$ upon presentation of ex-works bill of lading and invoice documentation.

Validity of letter should extend a minimum of 30 days beyond date of anticipated shipment

**NADP APPROVED FOR NTN SITES**